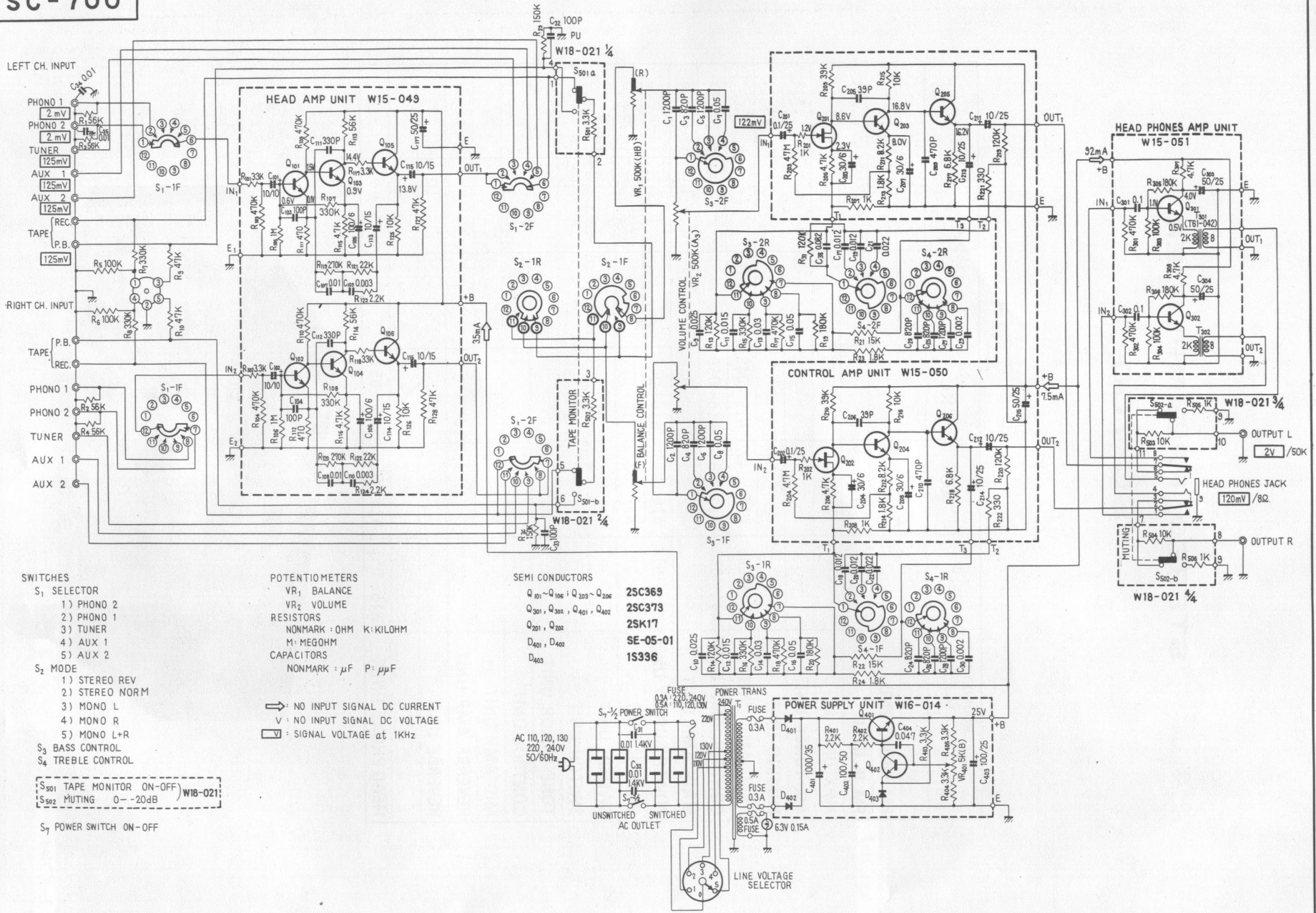


STEREO PREAMPLIFIER

SC-700

UNIT \ ROUND LABEL	FV	KC	KL			
FM FRONT END						
FM IF UNIT						
MPX UNIT						
AM TUNER UNIT						
MUTING UNIT						
HEAD AMP UNIT	W15-049	W15-049	W15-049			
CONTROL AMP UNIT	W15-050	W15-050	W15-050			
MAIN AMP UNIT						
POWER SUPPLY UNIT	W16-014	W16-014	W16-014			
SWITCH UNIT	W18-021	W18-021	W18-021			
SWITCH UNIT						
SWITCH UNIT						
TONE COLOR UNIT						
CONTROL UNIT						
MIC AMP UNIT						
REVERBE AMP UNIT						
REVERBE UNIT						
HEAD PHONE UNIT	W15-051	W15-051	W15-051			





SWITCHES

- S₁ SELECTOR**
 1) PHONO 2
 2) PHONO 1
 3) TUNER
 4) AUX 1
 5) AUX 2
- S₂ MODE**
 1) STEREO REV
 2) STEREO NORM
 3) MONO L
 4) MONO R
 5) MONO L+R
- S₃ BASS CONTROL**
S₄ TREBLE CONTROL

POTENTIOMETERS

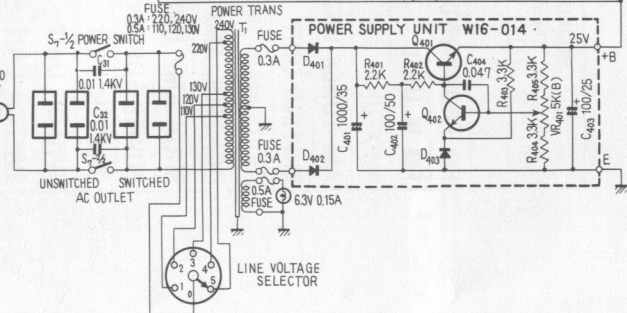
- VR₁ BALANCE**
VR₂ VOLUME
- RESISTORS**
 NONMARK : OHM K: KILOHM
 M: MEGOHM
- CAPACITORS**
 NONMARK : μF P: μμF

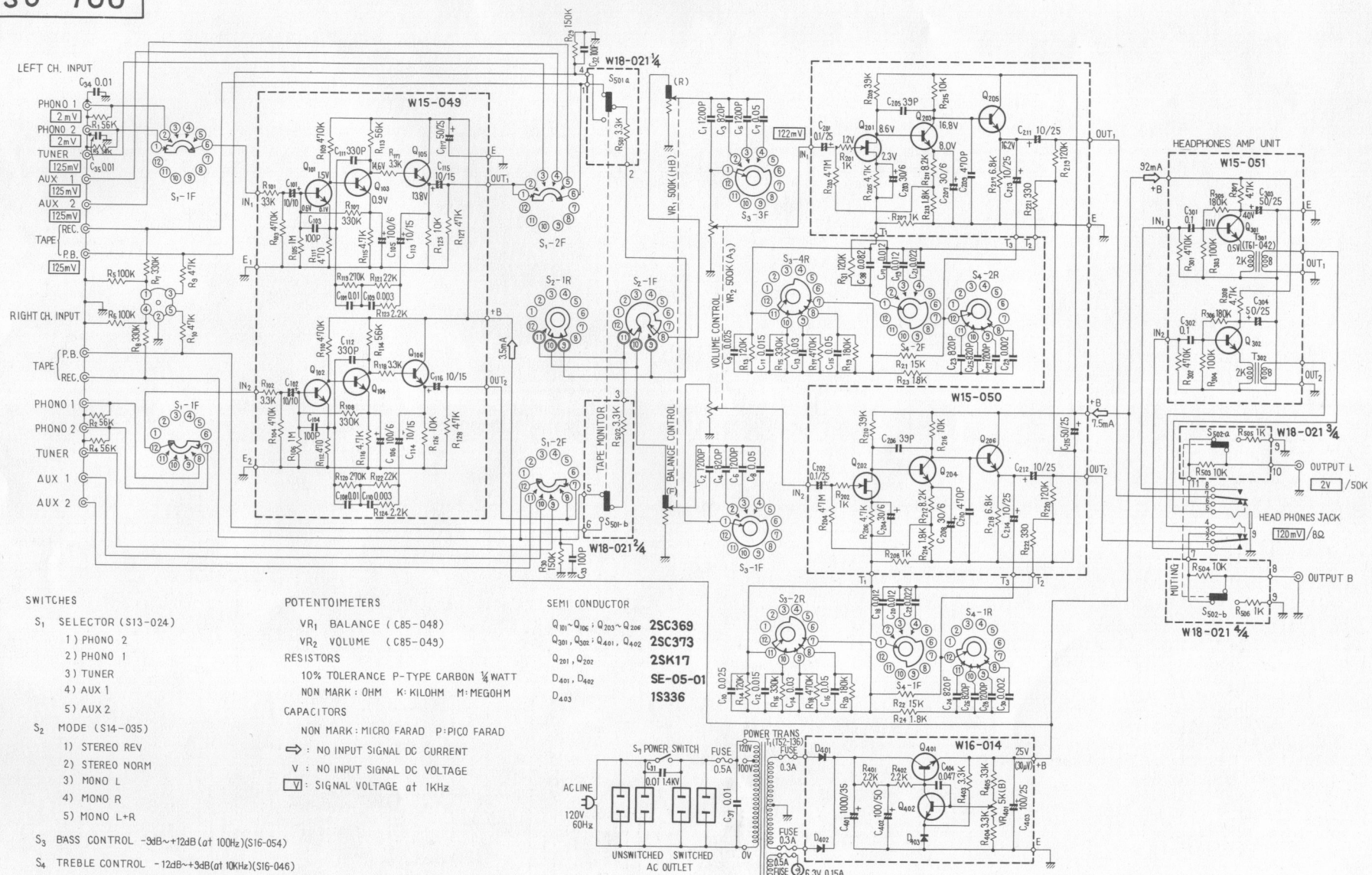
SEMI CONDUCTORS

- Q₁₀₁-Q₁₀₆ ; Q₂₀₁-Q₂₀₆ **2SC369**
 Q₃₀₁ ; Q₃₀₂ ; Q₄₀₁ ; Q₄₀₂ **2SC373**
 Q₂₀₁ ; Q₂₀₂ **2SK17**
 D₄₀₁ ; D₄₀₂ **SE-05-01**
 D₄₀₃ **1S336**

S₅₀₁ TAPE MONITOR ON-OFF
 S₅₀₂ MUTING 0-20dB **W18-021**

S₇ POWER SWITCH ON-OFF





SWITCHES

- S₁ SELECTOR (S13-024)
 - 1) PHONO 2
 - 2) PHONO 1
 - 3) TUNER
 - 4) AUX 1
 - 5) AUX 2
- S₂ MODE (S14-035)
 - 1) STEREO REV
 - 2) STEREO MON
 - 3) MONO L
 - 4) MONO R
 - 5) MONO L+R
- S₃ BASS CONTROL -3dB~+12dB (at 100Hz) (S16-054)
- S₄ TREBLE CONTROL -12dB~+3dB (at 10KHz) (S16-046)
- S₅₀₁ TAPE MONITOR ON-OFF (S31-013) W18
- S₅₀₂ MUTING 0--20dB (S31-013) -021
- S₇ POWER SWITCH ON-OFF (S11-014)

POTENTIOMETERS

- VR₁ BALANCE (C85-048)
 - VR₂ VOLUME (C85-049)
- RESISTORS
- 10% TOLERANCE P-TYPE CARBON 1/4 WATT
NON MARK : OHM K: KILOHM M: MEGOHM
- CAPACITORS
- NON MARK: MICRO FARAD P: PICO FARAD
↕ : NO INPUT SIGNAL DC CURRENT
V : NO INPUT SIGNAL DC VOLTAGE
∇ : SIGNAL VOLTAGE at 1kHz

SEMI CONDUCTOR

- Q₁₀₁~Q₁₀₆ : Q203~Q206 **2SC369**
- Q₃₀₁, Q₃₀₂ : Q401, Q402 **2SC373**
- Q₂₀₁, Q₂₀₂ **2SK17**
- D₄₀₁, D₄₀₂ **SE-05-01**
- D₄₀₃ **1S336**

